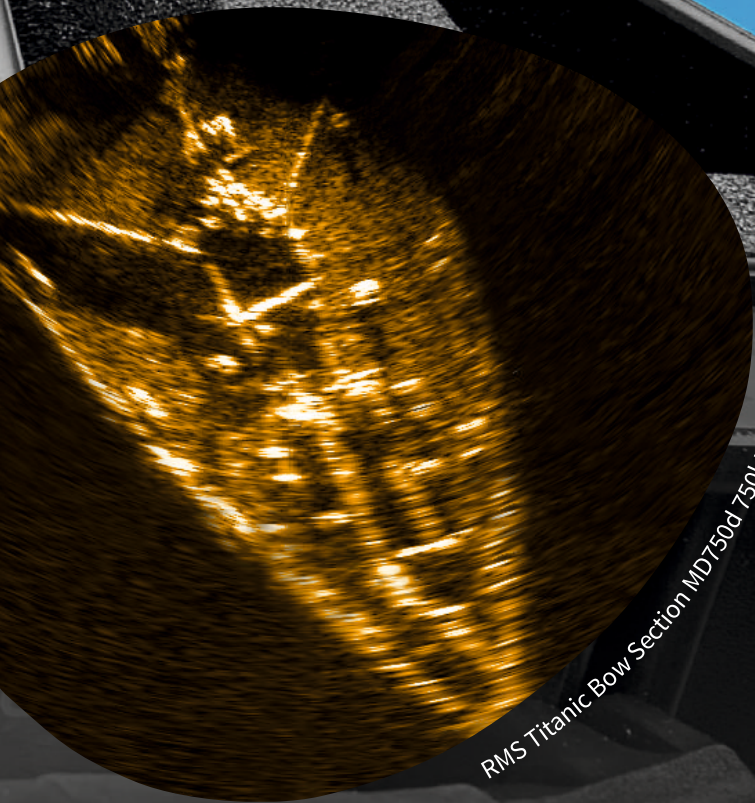




Oculus Multibeam Imaging Sonars

Providing clear real-time imaging in poor visibility or over long range



RMS Titanic Bow Section MD750d 750kHz

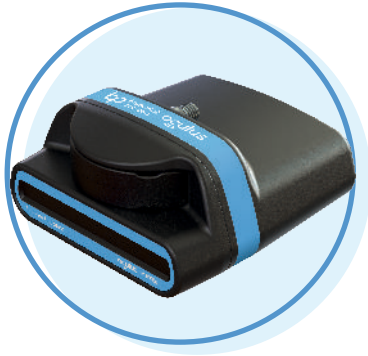
Redefining multibeam imaging sonars. Oculus, a range of single and dual-frequency sonar systems with unparalleled image quality in a compact, rugged form factor. Available in 500m, 1000m and 4000m depth ratings.

oculus

enquiries@blueprintsubsea.com
www.blueprintsubsea.com

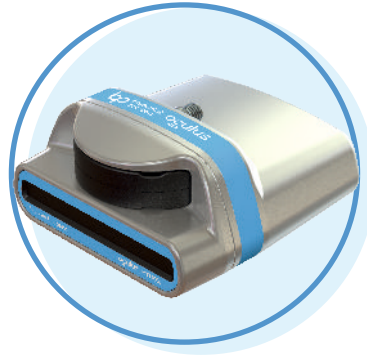


Systems



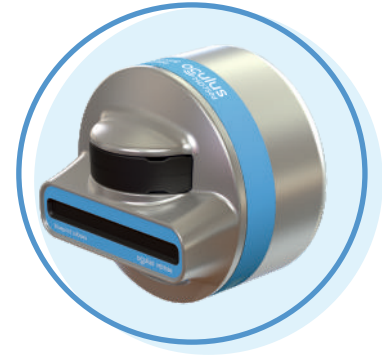
M-Series

The benchmark in multibeam imaging sonars. Providing exceptional image quality and depth rated to 500m.



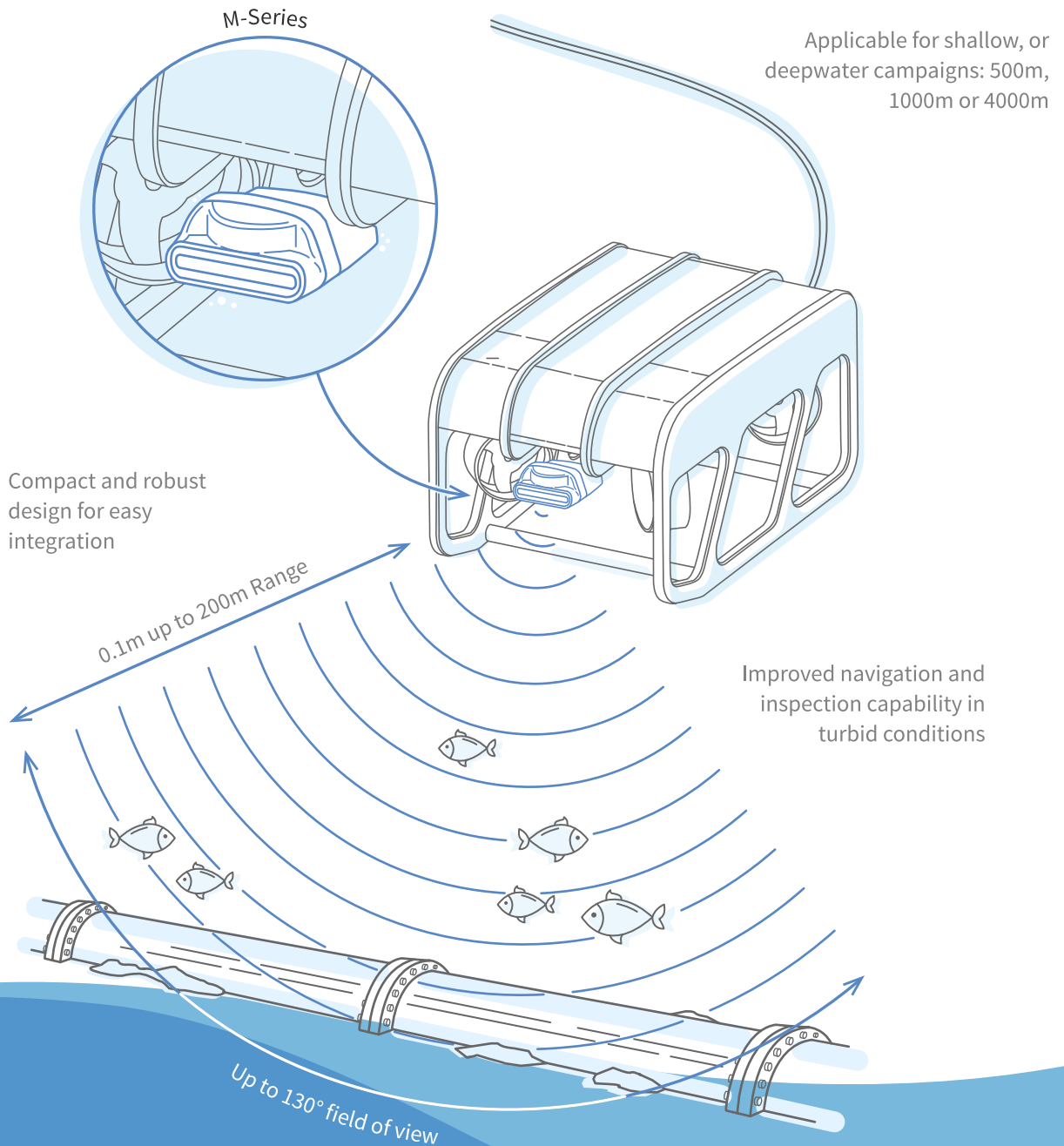
MT-Series

All the benefits of the Oculus M-Series with the advantage of a titanium housing to give a depth rating of 1000m.



MD-Series

The 4000m depth rated titanium housing allows the Oculus MD-Series to withstand the pressures of deep-sea working.



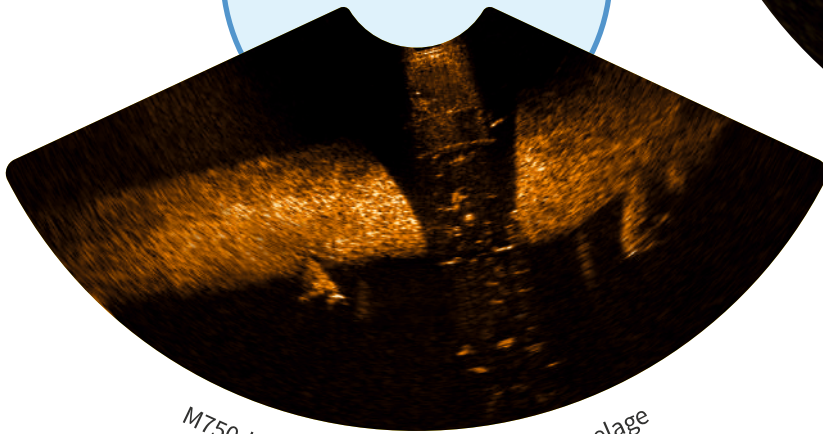
Features

- 375kHz to 3.0MHz, single and dual frequency systems suitable for navigation, situational awareness and inspection work
- Superior wide-angle field of view, up to 130° horizontal / 20° vertical
- Extensive range capability, 0.1m to 200m
- Exceptional image quality, angular resolution down to 0.25°
- Outstanding image definition, range resolution down to 2mm
- Simple and intuitive operator software
- Real-time imaging with ultra-fast update rate of up to 40Hz

Imagery

For longer range
navigation

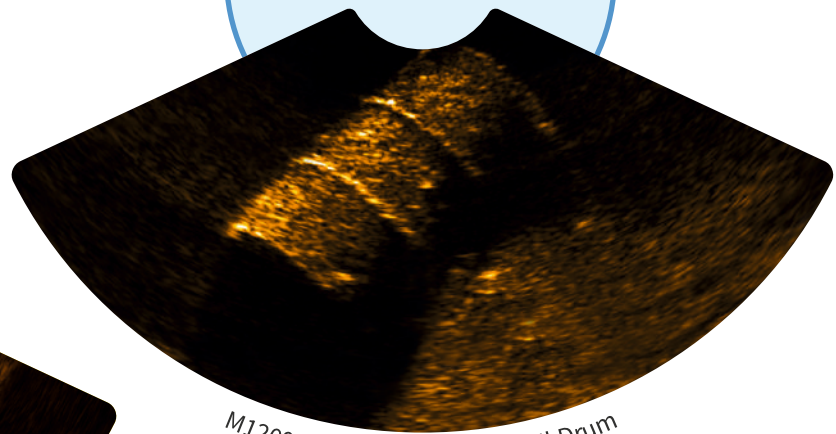
750kHz



M750d 750kHz 20m Range - Aircraft fuselage

For target
identification

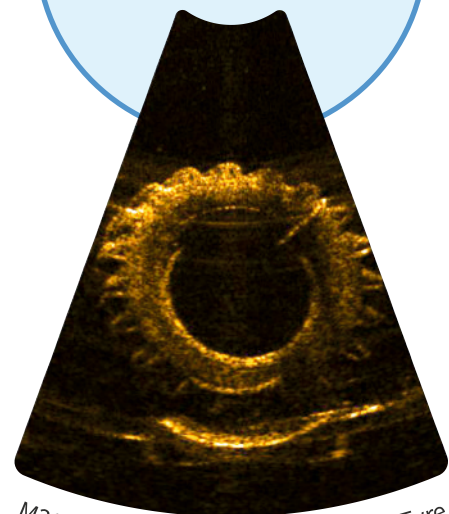
1.2MHz



M1200d 1.2MHz 2m Range - Oil Drum

For ultra-high
resolution

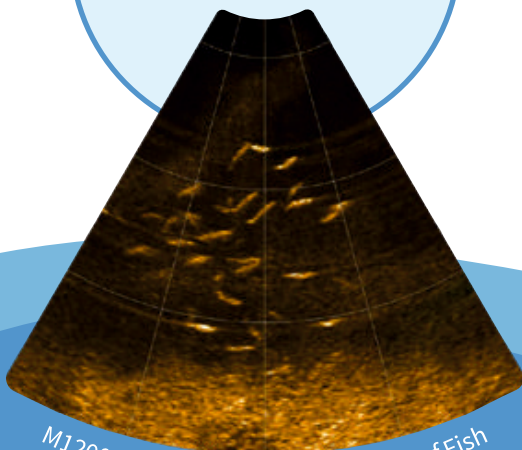
3.0MHz



M3000d 3.0MHz 2m Range - Tractor Tyre

For high resolution
target inspection

2.1MHz



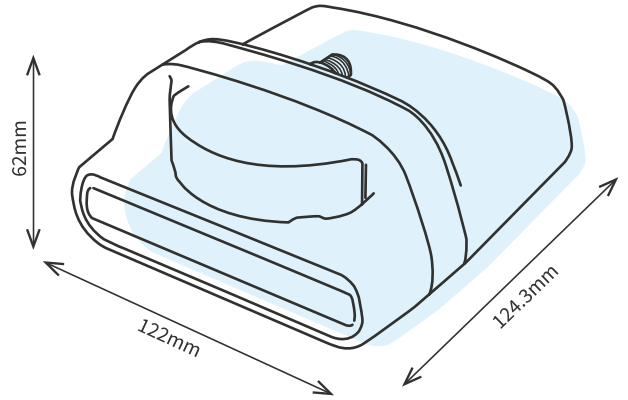
M1200d 2.1MHz 5m Range - School of Fish

M and MT-Series

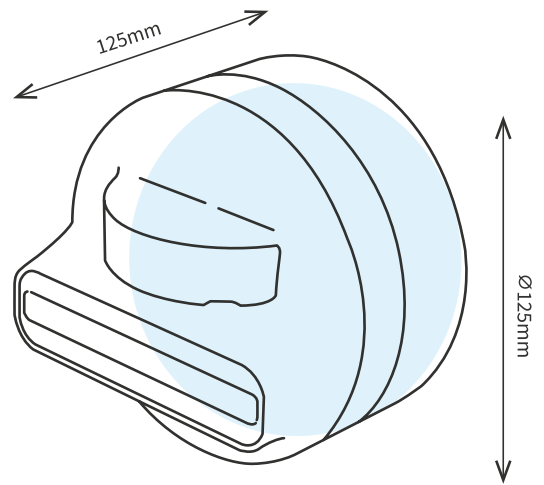
Specification

Mechanical

	M-Series	MT-Series	MD-Series
Dimensions	124mm (L) x 122mm (W) x 62mm (H)	124mm (L) x 122mm (W) x 62mm (H)	102mm (L) <i>excluding connector</i> x ø125mm
Construction	Anodised Aluminium	Titanium	Titanium
Weight	980g (Air), 360g (Water)	1350g (Air), 730g (Water)	2.5kg (Air), 1.45kg (Water)
Depth Rating	500m	1000m	4000m
Temp' Range (Operating)	-5°C to +35°C	-5°C to +35°C	-5°C to +35°C
Temp' Range (Storage)	-20°C to +50°C	-20°C to +50°C	-20°C to +50°C



MD-Series



Performance

	M370s MT370s MD370s	M750d MT750d MD750d	M1200d MT1200d MD1200d	M3000d MT3000d MD3000d
Operating Frequency	375kHz	750kHz / 1.2MHz	1.2MHz / 2.1MHz	1.2MHz / 3.0MHz
Range (Max)	200m	120m / 40m	40m / 10m	30m / 5m
Range (Min)	0.2m	0.1m	0.1m	0.1m
Range Resolution*	8mm	4mm / 2.5mm	2.5mm / 2.5mm	2.5mm / 2mm
Update Rate (Max)*	40Hz	40Hz	40Hz	40Hz
Horizontal Aperture	130°	130° / 130°	130° / 60°	130° / 40°
Vertical Aperture	20°	20° / 20°	20° / 12°	20° / 20°
Number of Beams (Max)	256	512	512	512
Angular Resolution	2°	1° / 0.6°	0.6° / 0.4°	0.6° / 0.4°
Beam Separation	0.5°	0.25° / 0.25°	0.25° / 0.16°	0.25° / 0.1°

Electrical

	M & MT-Series	MD-Series
Connector	Impulse IE55 Series, 6-way	Impulse MC Series, 6-way (Schilling SeaNet / Burton option)
Communications	4-wire 100-BaseT Ethernet, 2-wire DSL extender module	4-wire 100-BaseT Ethernet, 2-wire DSL extender module
Supply Voltage	12V to 32V DC non-isolated	18V to 32V DC isolated
Power Consumption	10W to 35W (model and range dependent*)	10W to 35W (model and range dependent*)
Integrated Sensors	Water pressure and temperature (for Velocity-of-Sound calculation)	Water pressure and temperature (for Velocity-of-Sound calculation)

*Indicates parameter is dependent on range.

Please note that all functions & specifications may be subject to change in line with our policy of continual product development.

DA-148-P01443-06