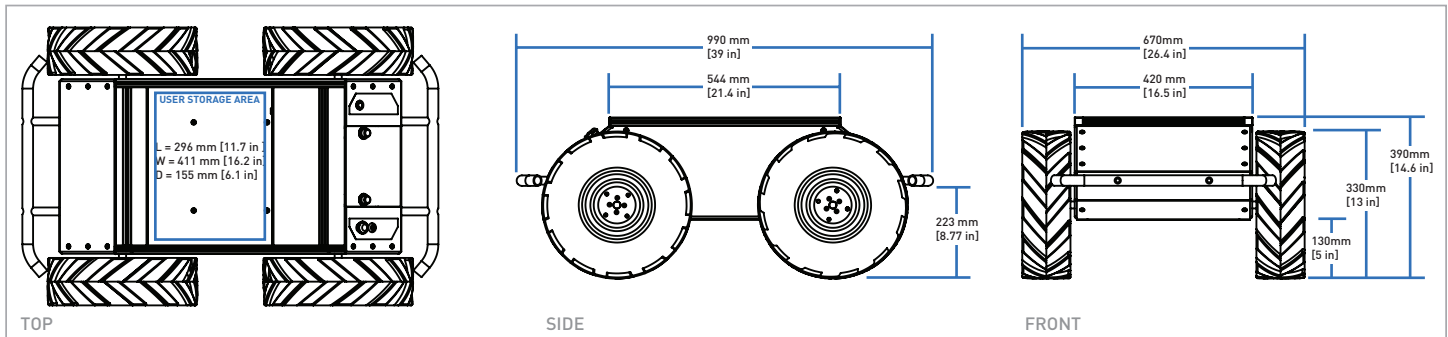


# HUSKY™

## UNMANNED GROUND VEHICLE



## TECHNICAL SPECIFICATIONS

SIZE AND WEIGHT	
EXTERNAL DIMENSIONS (L x W x H)	990 x 670 x 390 mm [39 x 26.4 x 14.6 in]
INTERNAL DIMENSIONS	296 x 411 x 155 mm [11.7 x 16.2 x 6.1 in]
WEIGHT	50 kg [110 lb]
WHEELS	330 mm [13 in] Lug Tread
GROUND CLEARANCE	130 mm [5 in]
SPEED AND PERFORMANCE	
MAX. PAYLOAD	75 Kg [165 lb]
ALL-TERRAIN PAYLOAD	20 Kg [44 lb]
MAX SPEED	1.0 m/s [2.3 mph]
DRIVETRAIN / DRIVE POWER	4x4 Zero-Maintenance
MAX CLIMB GRADE	45° [100% Slope]
MAX TRAVERSAL GRADE	30° [58% Slope]
BATTERY AND POWER SYSTEM	
BATTERY CHEMISTRY	Sealed Lead Acid
CAPACITY	24 V, 20 Ah
RUNTIME - STANDBY	8 Hours
RUNTIME - NOMINAL USAGE	3 Hours
CHARGE TIME	4 Hours
USER POWER	5 V, 12 V, 24 V Fused at 5 A each. 192 W total available power (upgrade to 480 W optional).
INTERFACING AND COMMUNICATION	
CONTROL MODES	Direct voltage, wheel speed, and kinematic velocity.
FEEDBACK	Battery voltage, motor currents, wheel odometry, and control system output.
COMMUNICATION	RS232 @ 115200 baud
ENCODERS	Quadrature: 78,000 pulses/m
DRIVERS AND APIs	ROS Kinetic, C++, and Python.
ENVIRONMENTAL	
OPERATING AMBIENT TEMPERATURE	-10 to 40 °C [14 to 104 °F] Not in direct sunlight
STORAGE TEMPERATURE	-40 to 60 °C [-40 to 140 °F]
RATING	IP 44 (upgrade to IP 55 available)

Contact us today for pricing and a free 30 minute technical assessment: 1-800-301-3863